

Parts Manual

EF300

Leaf Plow





500 Venture Drive
Orrville Oh 44667
www.ventrac.com

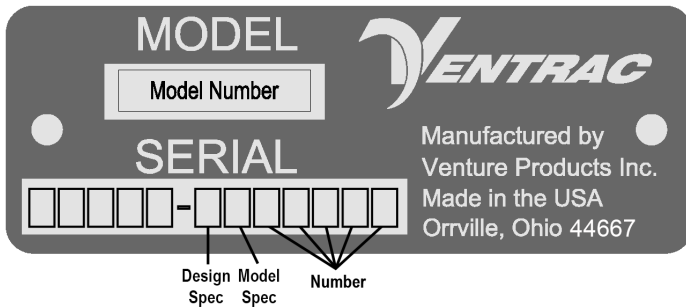
View all manuals



Visit ventrac.com/manuals for the latest version of this parts manual.

A downloadable operator's manual is also available.

Serial Number Description



Notes

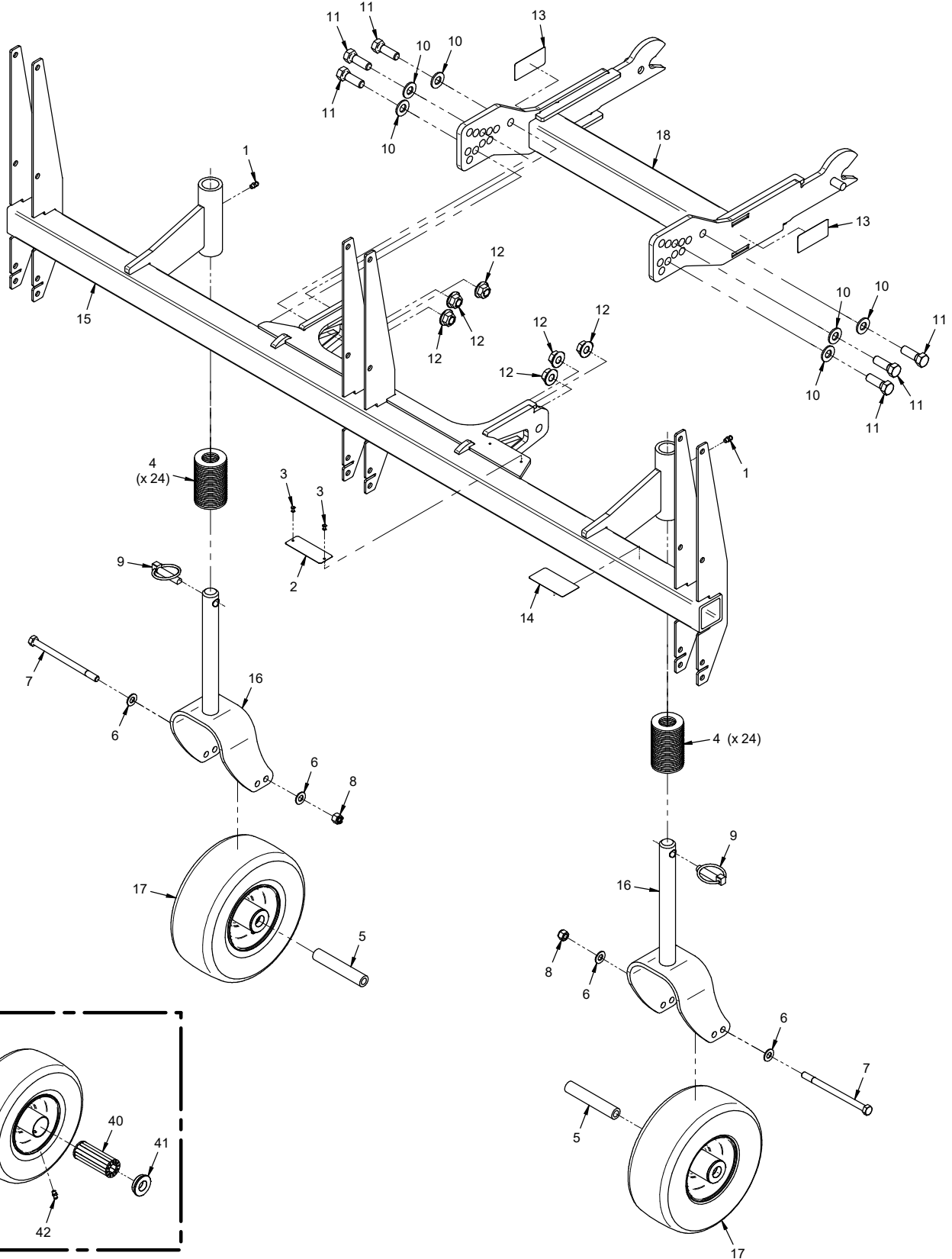
- If any component requires replacement, use only original Ventrac replacement parts.
- When ordering new components, be sure to order all required safety decals. All current safety decals must be affixed to the replacement components prior to installation of the component.

TABLE OF CONTENTS

PARTS	PAGE 4
Main Cross Frame and Hitch Frame	4
Screen and Screen Clamps	6
Screen Frame and Wing Frame Mount.....	8
Brush Frame	10
Side Wings.....	12

PARTS

ILLUSTRATED DRAWING Main Cross Frame and Hitch Frame



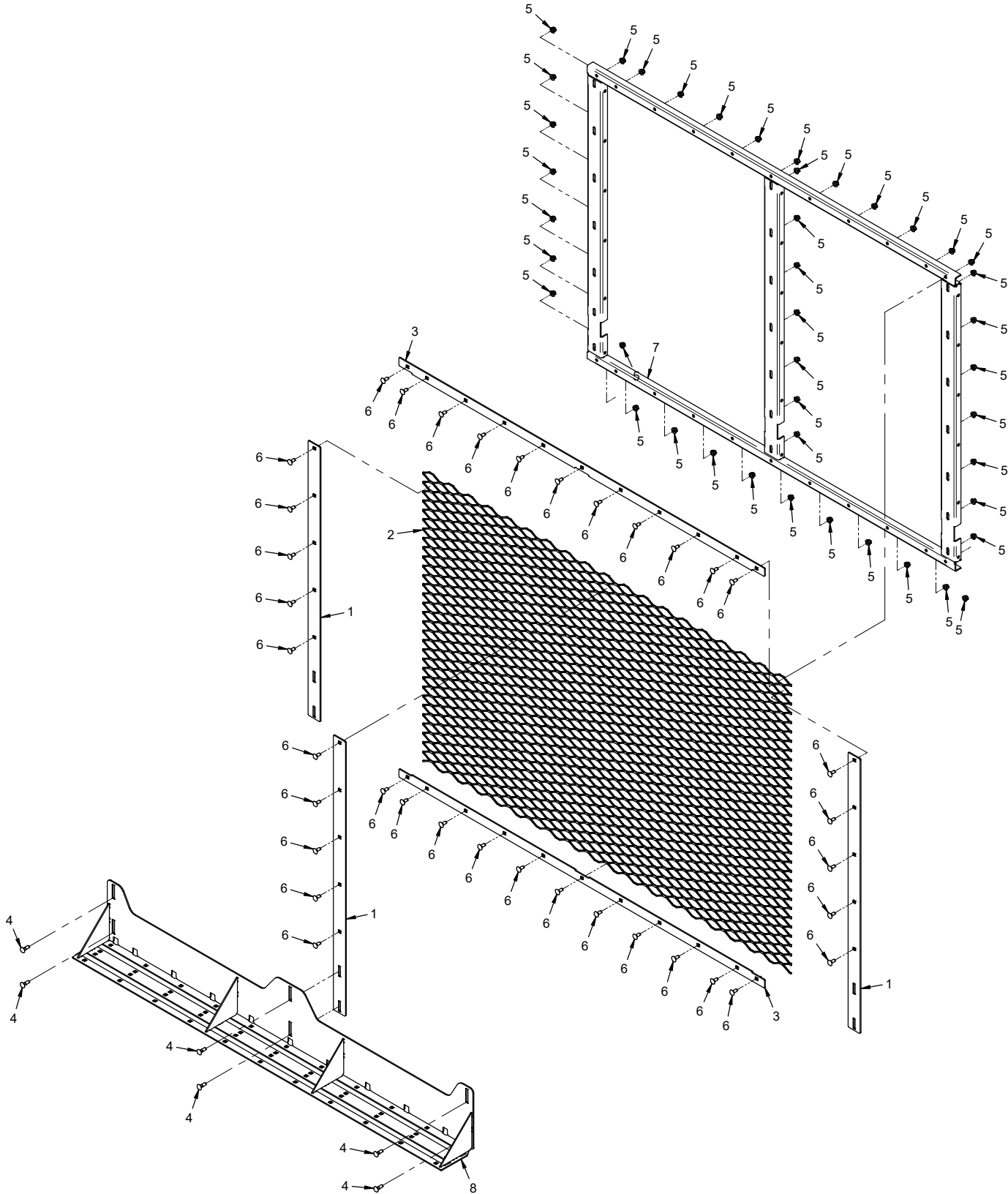
PARTS

Main Cross Frame and Hitch Frame

REF.	PART NO.	DESCRIPTION	QTY.
1	29.GF0001	.Grease Ftg, 1/4 SAE ST.	2
2	N/A	.Plate, Ventrac Serial Number	1
3	04.0003	.Rivet, Pop 1/8 X 3/8 SS	2
4	95.16	.Washer, Flat 1 SAE	48
5	50.0055	.Tube, Axle-Wheel Lm	2
6	95.06	.Washer, Flat 3/8 SAE	4
7	90.0644	.Bolt, 3/8-16 USS x 5-1/2	2
8	99.A06N	.Locknut, Nylon 3/8-16	2
9	03.0005	.Pin, Linch	2
10	95.08	.Washer, Flat 1/2 SAE	6
11	90.0812	.Bolt, 1/2-13 USS x 1-1/2	6
12	99.E0103	.Nut, Locking Flange 1/2-13	6
13	00.0364	.Decal, Warning Pinch Point	2
14	00.0619	.Decal, Read Operator's Manual	1
15	EF-6000	.Frame, Main Cross	1
16	KJ-6011	.Spindle, Wheel Swivel	2
17	53.0140	.Wheel, Asm 9 x 3.5 x4 Flatfree	2
18	EF-6005	.Frame, Hitch	1
40	55.0071	.Bearing, Roller 3.25" Long	1
41	55.0072	.Bearing, Retainer 3/4"	2
42	29.GF0001	.Grease Ftg, 1/4 SAE ST.	1

PARTS

ILLUSTRATED DRAWING Screen and Screen Clamps



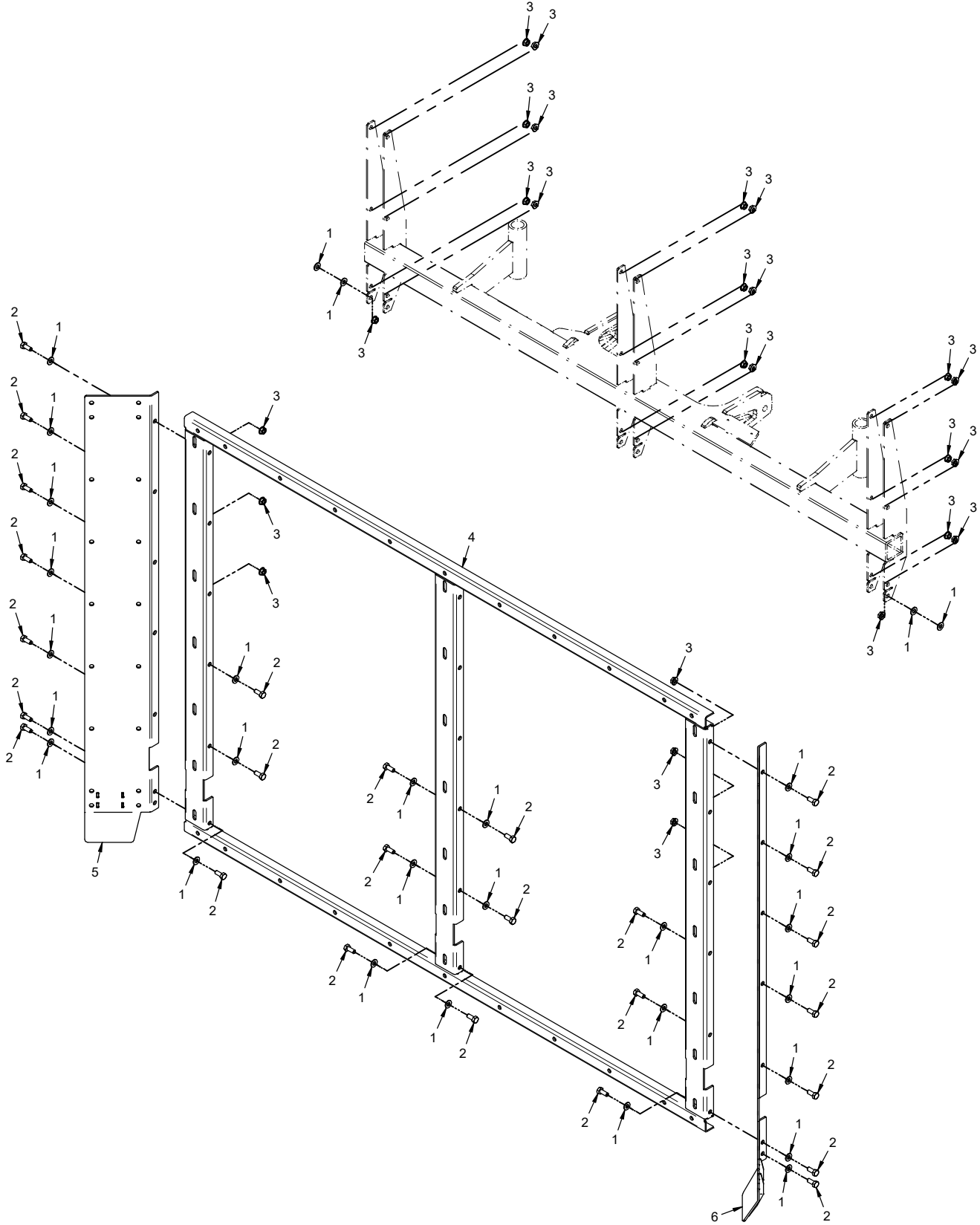
PARTS

Screen and Screen Clamps

REF.	PART NO.	DESCRIPTION	QTY.
1	EF-1010	.Clamp, Screen Vertical	3
2	EF-1036	.Panel, Main Screen	1
3	EF-1009	.Clamp, Screen Horizontal	2
4	97.0508	.Bolt, Carriage 5/16-18 x 1	6
5	99.E0102	.Nut, Locking Flange 5/16-18	43
6	97.0506	.Bolt, Carriage 5/16 x 3/4	37
7	EF-6006	.Frame, Screen	1
8	EF-6011	.Frame, Brush Mount	1

PARTS

ILLUSTRATED DRAWING Screen Frame and Wing Frame Mount



PARTS

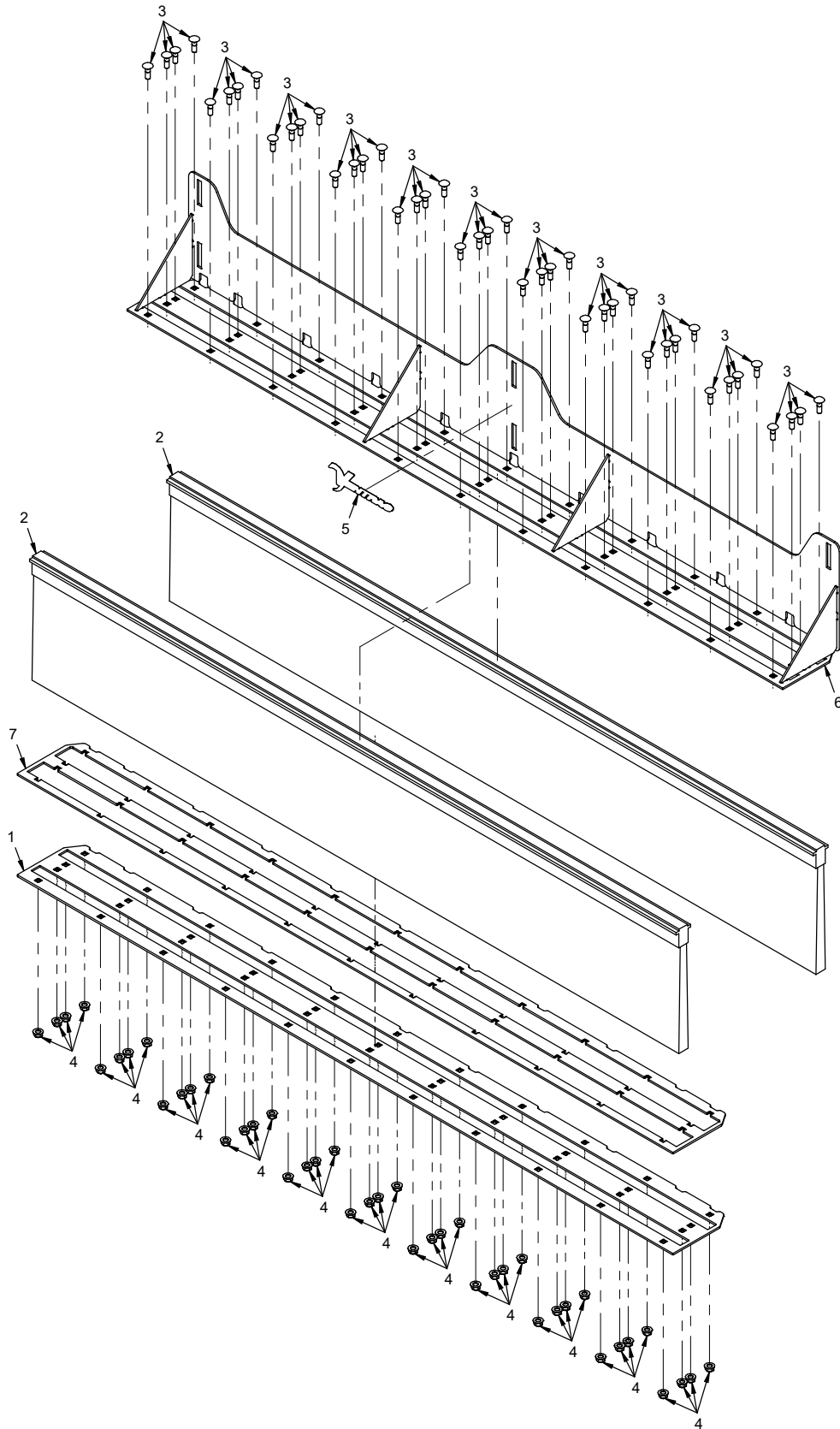
Screen Frame and Wing Frame Mount

REF.	PART NO.	DESCRIPTION	QTY.
1	95.05	Washer, Flat 5/16 SAE	30
2	90.0506	Bolt, 5/16-18 USS x 3/4"	26
3	99.SF05	Nut, SRF 5/16-18 USS	26
4	EF-6006	Frame, Screen	1
5	EF-6009	Mount, Side Belting Right	1
6	EF-6010	Mount, Side Belting Left	1

PARTS

ILLUSTRATED DRAWING

Brush Frame



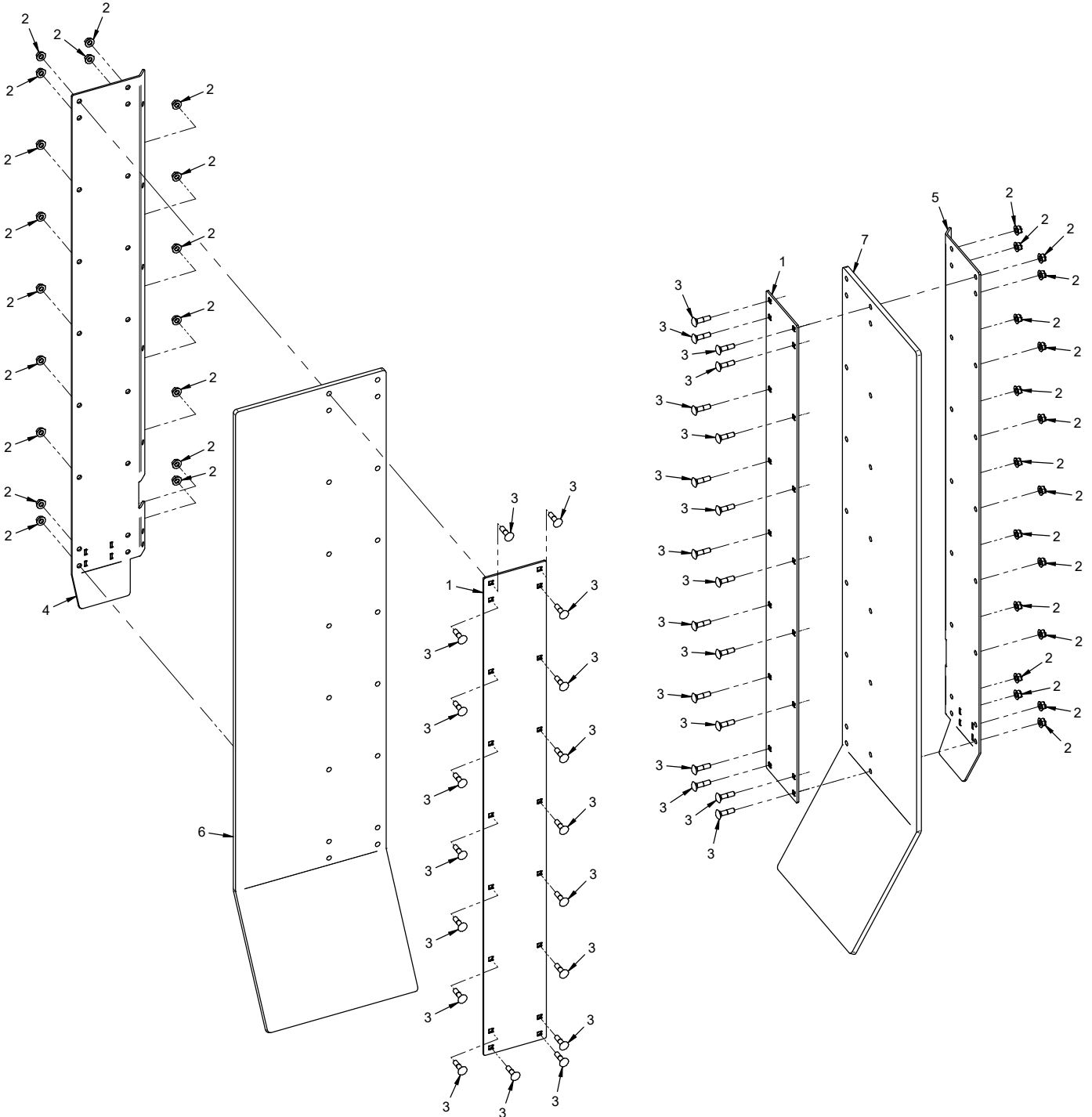
PARTS

Brush Frame

REF.	PART NO.	DESCRIPTION	QTY.
1	EF-1076	.Plate, Brush Holder	1
2	79.0121	.Brush, Strip 8-1/2 x 60"	2
3	97.0508	.Bolt, Carriage 5/16-18 x 1	44
4	99.E0102	.Nut, Locking Flange 5/16-18	44
5	00.0382	.Decal, Ventrac	1
6	EF-6011	.Frame, Brush Mount	1
7	EF-1077	.Spacer, Brush Holder	1

PARTS

ILLUSTRATED DRAWING Side Wings



PARTS

Side Wings

REF.	PART NO.	DESCRIPTION	QTY.
1	EF-1055	.Clamp, Side Belting	2
2	99.E0102	.Nut, Locking Flange 5/16-18	36
3	97.0510	.Bolt, Carriage 5/16-18 x 1-1/4	36
4	EF-6009	.Mount, Side Belting Right	1
5	EF-6010	.Mount, Side Belting Left	1
6	44.0415	.Belting, Side Wing	1
7	44.0415	.Belting, Side Wing	1