

*Operator's Manual
& Parts Drawings*

HE302 / HE482

Power Bucket





500 Venture Drive
Orrville Oh 44667
www.ventrac.com

View all manuals



Visit ventrac.com/manuals for the latest version of this operator's manual.

A downloadable parts manual is also available.

To the Owner Contact Information and Product Identification

If you need to contact an authorized Ventrac dealer for information on servicing your product, always provide the product model and serial numbers.

Please fill in the following information for future reference. See the picture(s) below to find the location of the identification numbers. Record them in the spaces provided.

Date of Purchase: _____

Dealer: _____

Dealer Address: _____

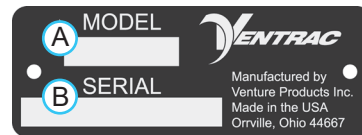
Dealer Phone Number: _____

Dealer Fax Number: _____

Model # (A): _____

Serial # (B): _____

Affix Part/Serial Number label here.



Venture Products Inc. reserves the right to make changes in design or specifications without obligation to make like changes on previously manufactured products.

TABLE OF CONTENTS

INTRODUCTION	PAGE 5
Product Description.....	5
Why Do I Need an Operator’s Manual?	5
Using Your Manual	6
Manual Glossary	6
SAFETY	PAGE 7
Safety Decals	7
General Safety Procedures	8
Training Required.....	8
Personal Protective Equipment Requirements	8
Operation Safety	8
Preventing Accidents.....	9
Keep Riders Off.....	9
Operating On Slopes.....	10
Roadway Safety	10
Truck Or Trailer Transport	10
Maintenance.....	11
Fuel Safety	11
Hydraulic Safety	12
Power Bucket Safety Procedures	13
OPERATIONAL CONTROLS	PAGE 14
Operational Control Locations.....	14
Primary SDLA Lever (A).....	14
Secondary SDLA Lever (B).....	14
Handle With Switch (C).....	14
GENERAL OPERATION	PAGE 15
Daily Inspection.....	15
Attaching	15
Detaching	15
Moving Loose or Soft Materials.....	15
Smoothing and Leveling Loose Materials	16
Brush and Log Removal With Optional Grapple	16
SERVICE	PAGE 17
Cleaning and General Maintenance.....	17
Lubrication Locations	17
Storage.....	17
Optional Power Bucket Teeth Installation.....	17
Removing Power Bucket Teeth	18
Optional Grapple Installation.....	18
Removal and Storage of the Grapple.....	18
Maintenance Schedule.....	19
Maintenance Checklist	19

TABLE OF CONTENTS

SPECIFICATIONS	PAGE 20
HE302 Dimensions	20
HE482 Dimensions	20
Power Bucket Angle & Ground Clearance	20
Features	20
PARTS	PAGE 22
HE302 Power Bucket	22
HE482 Power Bucket	24
70.8124 Power Bucket Teeth Kit	26
70.8123 Power Bucket Grapple 48"	28
70.8159 Bucket Extension Kit	30
WARRANTY	PAGE 32

INTRODUCTION



Venture Products Inc. is pleased to provide you with your new Ventrac power bucket! We hope that Ventrac equipment will provide you with a ONE Tractor Solution.

Listed below are just some of the items that can provide you *versatility* as you use your power bucket. Please visit our website, or contact your authorized Ventrac dealer for a complete list of items available for your new power bucket.

Accessories	Item Description	Part Number
	Power Bucket Teeth Kit (HE302, HE482)	70.8124
	Power Bucket Grapple Kit (HE482 only)*	70.8123
	Power Bucket Extension Kit (HE482 only)*	70.8159

*The bucket extension kit and the grapple kit cannot be installed on the bucket at the same time.

Product Description

Ventrac power buckets are designed solely for the purposes of digging, scooping, and transporting materials such as soil, mulch, sand, and gravel.

Ventrac power buckets are hydraulically controlled from the driver's seat, allowing for smooth, effortless operation. The power bucket is designed to sit upright after detachment, with the lift arms in the proper position for reattachment when the power bucket is used again.

If the power bucket is used on a power unit equipped with weight transfer, increasing the weight transfer setting on the power unit will increase the lifting capacity of the power bucket.

To balance the power unit and keep all wheels securely on the ground while using the power bucket, adequate rear ballast or an appropriate implement mounted on a 3-point hitch is necessary. If using the power bucket on an optional "3-n-1" attachment for rear 3-point hitch, adequate front ballast or an appropriate attachment mounted on the front hitch is necessary.

Optional teeth can be mounted on the power bucket's cutting edge to help break up and loosen compacted soil. An optional extension kit can be mounted on the HE482 power bucket to increase the bucket capacity (volume) when using for lighter materials such as mulch.

An optional grapple kit* can be mounted on the power bucket to allow the power bucket to pinch and carry logs, brush, or debris.

*The optional grapple kit requires the power unit to be equipped with dual hydraulic auxiliary couplers. Kit # 70.4109 is used on the 4500 power units. Kit # 70.3039 is used on the 3400 power units.

Why Do I Need an Operator's Manual?

This manual has been created to help you gain the important knowledge of what is needed to safely operate, maintain, and service your machine. It is divided into sections for convenient reference of the appropriate section.

You must read and understand the operator's manual for each piece of Ventrac equipment you own. Reading the operator's manual will help you become familiar with each specific piece of equipment. Understanding the operator's manual will help you, as well as others, avoid personal injury and/or damage to the equipment. Keep this manual with the machine at all times. The manual should remain with the machine even if it is sold. If this manual becomes damaged or unreadable, it should be replaced immediately. Contact your local Ventrac dealer for a replacement.

When using a Ventrac attachment, be sure to read and follow the safety and operating instructions of both the power unit and the attachment being used to ensure the safest operation possible.

The information in this manual provides the operator with the safest procedures to operate the machine while getting the maximum use out of the unit. Failure to follow the safety precautions listed in this manual may result in personal injury and/or damage to the equipment.

INTRODUCTION

Using Your Manual

Throughout this manual, you will encounter special messages and symbols that identify potential safety concerns to help you as well as others avoid personal injury or damage to the equipment.

SYMBOL DEFINITIONS



ATTENTION

This symbol identifies potential health and safety hazards. It marks safety precautions. Your safety and the safety of others is involved.

There are three signal words that describe the level of safety concern: Danger, Warning, and Caution. Safety should always be the #1 priority when working on or operating equipment. Accidents are more likely to occur when proper operating procedures are not followed or inexperienced operators are involved.

Note: Right-Hand and Left-Hand orientations may be referred to at different places throughout this manual. Right-Hand and Left-Hand is determined as if sitting on the power unit seat facing forward.

SIGNAL WORD DEFINITIONS

⚠ DANGER

Indicates an imminently hazardous situation which, if not avoided, will result in death or serious injury. This signal word is limited to the most extreme cases.

⚠ WARNING

Indicates a potentially hazardous situation which, if not avoided, could result in death or serious injury.

⚠ CAUTION

Indicates a potentially hazardous situation which, if not avoided, may result in minor or moderate injury and/or property damage. It may also be used to alert against unsafe practices.

Manual Glossary

Power Unit A Ventrac tractor or other Ventrac engine powered device that may be operated by itself or with an attachment or accessory.

Attachment A piece of Ventrac equipment that requires a Power Unit for operation.

Accessory A device that attaches to a Power Unit or Attachment to extend its capabilities.

Machine Describes any "Attachment" or "Accessory" that is used in conjunction with a power unit.

SAFETY

Safety Decals

The following safety decals must be maintained on your power bucket.

Keep all safety decals legible. Remove all grease, dirt, and debris from safety decals and instructional labels. If any decals are faded, illegible, or missing, contact your dealer promptly for replacements.

When new components are installed, be sure that current safety decals are affixed to the replacement components.



Decal	Description	Part Number	Quantity
A	Danger, Pinching Hazard	00.0102	1
B	Warning, High Pressure Fluid	00.0103	1
C	Warning, Read Owner's Manual	00.0217	1

SAFETY



General Safety Procedures for Ventrac Power Units, Attachments, & Accessories



Training Required

- The owner of this machine is solely responsible for properly training the operators.
- The owner/operator is solely responsible for the operation of this machine and prevention of accidents or injuries occurring to him/herself, other people, or property.
- Do not allow operation or service by children or untrained personnel. Local regulations may restrict the age of the operator.
- Before operating this machine, read the operator's manual and understand its contents.
- If the operator of the machine cannot understand this manual, then it is the responsibility of this machine's owner to fully explain the material within this manual to the operator.
- Learn and understand the use of all controls.
- Know how to stop the power unit and all attachments quickly in the event of an emergency.



Personal Protective Equipment Requirements

It is the responsibility of the owner to be sure that the operators use the proper personal protective equipment while operating the machine. Required personal protective equipment includes, but is not limited to, the following list.



- Wear a certified ear protection device to prevent loss of hearing.
- Prevent eye injury by wearing safety glasses while operating the machine.
- Closed toe shoes must be worn at all times.
- Long pants must be worn at all times.
- When operating in dusty conditions, it is recommended that a dust mask be worn.

Operation Safety

- Inspect machine before operation. Repair or replace any damaged, worn, or missing parts. Be sure guards and shields are in proper working condition and are secured in place. Make all necessary adjustments before operating machine.
- Some pictures in this manual may show shields or covers opened or removed in order to clearly illustrate any instructions. Under no circumstance should the machine be operated without these devices in place.
- Alterations or modifications to this machine can reduce safety and could cause damage to the machine. Do not alter safety devices or operate with shields or covers removed.
- Before each use, verify that all controls function properly and inspect all safety devices. Do not operate if controls or safety devices are not in proper working condition.
- Check parking brake function before operating. Repair or adjust parking brake if necessary.
- Observe and follow all safety decals.
- All controls are to be operated from the operator's station only.
- Always wear a seat belt if the machine has a roll cage/bar installed and in upright position.
- Ensure the attachment or accessory is locked or fastened securely to the power unit before operating.
- Ensure that all bystanders are clear of the power unit and attachment before operating. Stop machine if someone enters your work area.
- Always be alert to what is happening around you, but do not lose focus on the task you are performing. Always look in the direction the machine is moving.
- Look behind and down before backing up to be sure of a clear path.
- If you hit an object, stop and inspect the machine. Make all necessary repairs before operating machine again.
- Stop operation immediately at any sign of equipment failure. An unusual noise can be a warning of equipment failure or a sign that maintenance is required. Make all necessary repairs before operating machine again.

SAFETY



General Safety Procedures for Ventrac Power Units, Attachments, & Accessories



Operation Safety (continued)

- If equipped with a high/low range feature, never shift between high and low range while on a slope. Always move the machine to level ground and engage the parking brake before shifting range.
- Do not leave machine unattended while it is running.
- Always park the machine on level ground.
- Always shut off engine when connecting attachment drive belt to the power unit.
- Never leave the operator's station without lowering the attachment to the ground, setting the parking brake, shutting off the engine, and removing the ignition key. Make sure all moving parts have come to a complete stop before dismounting.
- Never leave equipment unattended without lowering the attachment to the ground, setting the parking brake, shutting off the engine, and removing the ignition key.
- Only operate in well-lit conditions.
- Do not operate when there is a risk of lightning.
- Never direct the discharge of any attachment in the direction of people, buildings, animals, vehicles, or other objects of value.
- Never discharge material against a wall or obstruction. Material may ricochet back towards the operator.
- Use extra caution when approaching blind corners, shrubs, trees, or other objects that may obscure vision.
- Do not run the engine in a building without adequate ventilation.
- Do not touch the engine or the muffler while the engine is running or immediately after stopping the engine. These areas may be hot enough to cause a burn.
- Do not change the engine governor settings or over-speed the engine. Operating engine at excessive speed may increase the hazard of personal injury.
- To reduce the hazard of fire, keep the battery compartment, engine, and muffler areas free of grass, leaves, excessive grease, and other flammable materials.

Preventing Accidents



- Clear working area of objects that might be hit or thrown from machine.
- Keep people and pets out of working area.
- Know the work area well before operation. Do not operate where traction or stability is questionable.
- Reduce speed when you are operating over rough ground.
- Equipment can cause serious injury and/or death when improperly used. Before operating, know and understand the operation and safety of the power unit and the attachment being used.
- Do not operate machine if you are not in good physical and mental health, if you will be distracted by personal devices, or are under the influence of any substance which might impair decision, dexterity, or judgment.
- Children are attracted to machine activity. Be aware of children and do not allow them in the working area. Turn off the machine if a child enters the work area.



Keep Riders Off

- Only allow the operator on the power unit. Keep riders off.
- Never allow riders on any attachment or accessory.

SAFETY

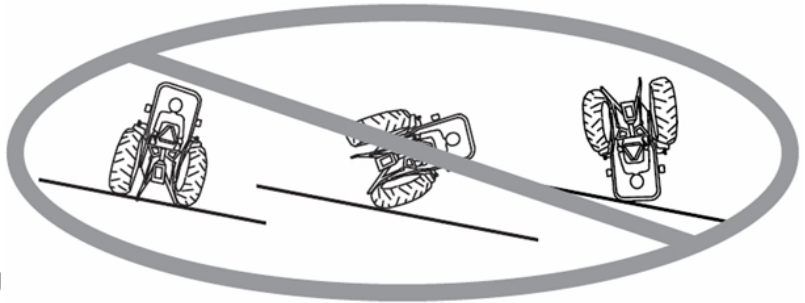


General Safety Procedures for Ventrac Power Units, Attachments, & Accessories



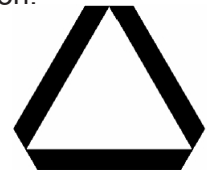
Operating On Slopes

- Slopes can cause loss-of-control and tip-over accidents, which can result in severe injury or death. Be familiar with the emergency parking brake, along with the power unit controls and their functions.
- If power unit is equipped with a fold down roll bar, it must be locked in the upright position when operating on any slope.
- Use low range (if equipped) when operating on slopes greater than 15 degrees.
- Do not stop or start suddenly when operating on slopes.
- Never shift between high and low range while on a slope. Always move the power unit to level ground and engage the parking brake before shifting range or placing the power unit in neutral.
- Variables such as wet surface and loose ground will reduce the degree of safety. Do not drive where machine could lose traction or tip over.
- Keep alert for hidden hazards in the terrain.
- Stay away from drop-offs, ditches, and embankments.
- Sharp turns should be avoided when operating on slopes.
- Pulling loads on hills decreases safety. It is the responsibility of the owner/operator to determine loads that can safely be controlled on slopes.
- Transport machine with attachment lowered or close to the ground to improve stability.
- While operating on slopes, drive in an up and down direction when possible. If turning is necessary while driving across slopes, reduce speed and turn slowly in the downhill direction.
- Assure a sufficient supply of fuel for continuous operation. A minimum of one-half tank of fuel is recommended.



Roadway Safety

- Operate with safety lights when operating on or near roadways.
- Obey all state and local laws concerning operation on roadways.
- Slow down and be careful of traffic when operating near or crossing roadways. Stop before crossing roads or sidewalks. Use care when approaching areas or objects that may obscure vision.
- If there is doubt of safety conditions, discontinue machine operation until a time when operation can be performed safely.
- When operating near or on roadways, have a Slow Moving Vehicle Emblem clearly displayed.



Truck Or Trailer Transport

- Use care when loading or unloading machine into a truck or trailer.
- Use full width ramps for loading machine into a truck or trailer.
- The parking brake is not sufficient to lock the machine during transport. Always secure the power unit and/or attachment to the transporting vehicle securely using straps, chains, cable, or ropes. Both front and rear straps should be directed down and outward from the machine.
- Shut off fuel supply to power unit during transport on truck or trailer.
- If equipped, turn the battery disconnect switch to the Off position to shut off electrical power.

SAFETY



General Safety Procedures for Ventrac Power Units, Attachments, & Accessories



Maintenance

- Keep all safety decals legible. Remove all grease dirt, and debris from safety decals and instructional labels.
- If any decals are faded, illegible, or missing, contact your dealer promptly for replacements.
- When new components are installed, be sure that current safety decals are affixed to the replacement components.
- If any component requires replacement, use only original Ventrac replacement parts.
- Always turn the battery disconnect to the Off position or disconnect the battery before performing any repairs. Disconnect the negative terminal first and the positive terminal last. Reconnect the positive terminal first and the negative terminal last.
- Keep all bolts, nuts, screws, and other fasteners properly tightened.
- Always lower the attachment to the ground, engage parking brake, shut off engine, and remove the ignition key. Make sure all moving parts have come to a complete stop before cleaning, inspection, adjusting or repairing.
- If the power unit, attachment, or accessory requires repairs or adjustments not instructed in the operator's manual, the power unit, attachment, or accessory must be taken to an authorized Ventrac dealer for service.
- Never perform maintenance on the power unit and/or attachment if someone is in the operator's station.
- Always use protective glasses when handling the battery.
- Check all fuel lines for tightness and wear on a regular basis. Tighten or repair them as needed.
- To reduce the hazard of fire, keep the battery compartment, engine, and muffler areas free of grass, leaves, and excessive grease.
- Do not touch the engine, the muffler, or other exhaust components while the engine is running or immediately after stopping the engine. These areas may be hot enough to cause a burn.
- Allow the engine to cool before storing and do not store near an open flame.
- Do not change the engine governor settings or over-speed the engine. Operating engine at excessive speed may increase the hazard of personal injury.
- Springs may contain stored energy. Use caution when disengaging or removing springs and/or spring loaded components.
- An obstruction or blockage in a drive system or moving/rotating parts may cause a buildup of stored energy. When the obstruction or blockage is removed, the drive system or moving/rotating parts may move suddenly. Do not attempt to remove an obstruction or blockage with your hands. Keep hands, feet, and clothing away from all power-driven parts.
- Dispose of all fluids in accordance with local laws.

Fuel Safety



- To avoid personal injury or property damage, use extreme care in handling gasoline. Gasoline is extremely flammable and the vapors are explosive.
- Do not refuel machine while smoking or at a location near flames or sparks.
- Always refuel the machine outdoors.
- Do not store machine or fuel container indoors where fumes or fuel can reach an open flame, spark, or pilot light.
- Only store fuel in an approved container. Keep out of reach of children.
- Never fill containers inside a vehicle or on a truck or trailer bed with a plastic liner. Always place containers on the ground away from your vehicle before filling.
- Remove machine from the truck or trailer and refuel it on the ground. If this is not possible, refuel the machine using a portable container, rather than from a fuel dispenser nozzle.
- Never remove fuel cap or add fuel with the engine running. Allow engine to cool before refueling.
- Never remove fuel cap while on a slope. Only remove when parked on a level surface.
- Replace all fuel tank and container caps securely.

SAFETY



General Safety Procedures for Ventrac Power Units, Attachments, & Accessories



Fuel Safety (continued)

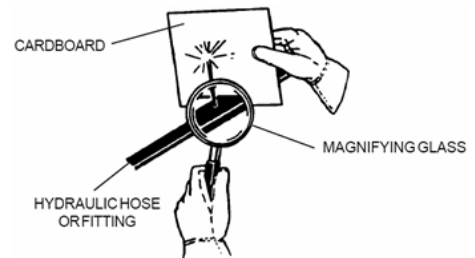
- Do not overfill fuel tank. Only fill to bottom of fuel neck, do not fill fuel neck full. Overfilling of fuel tank could result in engine flooding, fuel leakage from the tank, and/or damage to the emissions control system.
- If fuel is spilled, do not attempt to start the engine. Move the power unit away from the fuel spill and avoid creating any source of ignition until fuel vapors have dissipated.
- If the fuel tank must be drained, it should be drained outdoors into an approved container.
- Dispose of all fluids in accordance with local laws.
- Check all fuel lines for tightness and wear on a regular basis. Tighten or repair them as needed.
- The fuel system is equipped with a shut-off valve. Shut off the fuel when transporting the machine to and from the job, when parking the machine indoors, or when servicing the fuel system.

Hydraulic Safety

- Make sure all hydraulic connections are tight and all hydraulic hoses and tubes are in good condition. Repair any leaks and replace any damaged or deteriorated hoses or tubes before starting the machine.
- Hydraulic leaks can occur under high pressure. Hydraulic leaks require special care and attention.
- Use a piece of cardboard and a magnifying glass to locate suspected hydraulic leaks.



- Keep body and hands away from pinhole leaks or nozzles that eject high pressure hydraulic fluid. Hydraulic fluid escaping under high pressure can penetrate the skin causing serious injury, leading to severe complications and/or secondary infections if left untreated. If hydraulic fluid is injected into the skin, seek immediate medical attention no matter how minor the injury appears.



- Hydraulic system may contain stored energy. Before performing maintenance or repairs on the hydraulic system, remove attachments, engage parking brake, disengage weight transfer system (if equipped), shut off engine, and remove ignition key. To relieve pressure on the auxiliary hydraulic system, shut off the power unit engine and move the hydraulic control lever left and right before disconnecting the auxiliary hydraulic quick couplers.
- Dispose of all fluids in accordance with local laws.

SAFETY



Power Bucket Safety Procedures

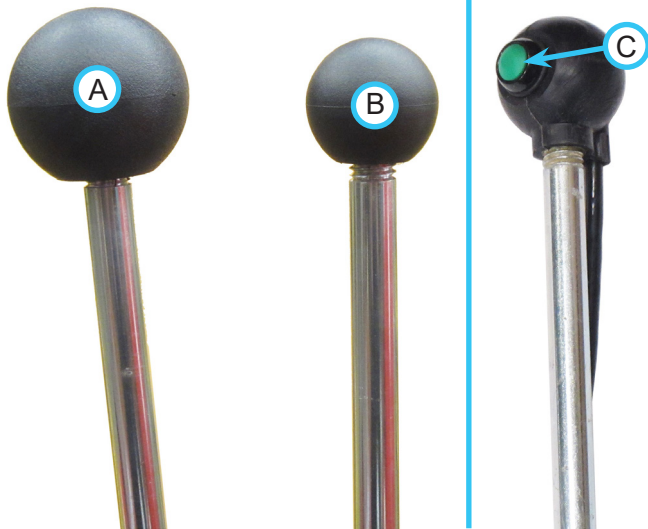


- Attachment hydraulic system may contain stored energy. Before performing maintenance or repairs on the hydraulic system, the attachment's auxiliary hydraulic hoses must be disconnected from the power unit. Lower the attachment to the ground, shut off power unit engine, move the secondary SDLA lever left and right to relieve auxiliary hydraulic pressure, and disconnect the auxiliary hydraulic quick couplers.
- Use very slow ground speeds when digging or moving materials. If the power bucket engages a lodged rock or other object with the machine moving fast, a sudden deceleration could cause injury to the operator and/or damage to the equipment.
- To balance the power unit and keep all wheels securely on the ground while using the power bucket, adequate rear ballast or an appropriate implement mounted on a 3-point hitch is necessary. If using the power bucket on an optional "3-n-1" attachment for rear 3-point hitch, adequate front ballast or an appropriate attachment mounted on the front hitch is necessary.

OPERATIONAL CONTROLS

Operational Control Locations

Use the following images to help identify the locations of operational controls. The letter next to each control can be referenced to the list that follows these images.



- A. Primary SDLA Lever (power unit)
- B. Secondary SDLA Lever (power unit)
- C. Handle with Switch* (power unit equipped with dual hydraulic auxiliary kit)

Primary SDLA Lever (A)

Pull the lever to the left to raise the power unit hitch arms and the power bucket. Push the lever to the right to lower the power unit hitch arms and the power bucket. Float position is attained by pushing the lever to the right until the float detent locks the lever in place.

Secondary SDLA Lever (B)

Pull the lever to the left to roll the bucket back for carrying material. Push the lever to the right to tip the bucket forward and dump the load.

Handle With Switch (C)

The optional handle (dual hydraulic auxiliary kit) is used to select which set of quick couplers is controlled by the secondary SDLA lever. The secondary SDLA lever operates the hydraulic couplers with red and yellow indicators until the button on the handle is depressed. Pressing this button switches the secondary SDLA lever to control the operation of the hydraulic couplers with white and black indicators. This allows operation of both the power bucket and the optional grapple kit.

Pull the lever to the left to tip the bucket back for carrying material. Push the lever to the right to tip the bucket forward and dump the load.

Press the button on the handle and push the secondary SDLA lever to the right to open the grapple jaws. Press the button on the handle and pull the secondary SDLA lever to the left to close the grapple jaws. Release the button to return to normal operation.

* This feature is required to operate a power bucket that is equipped with an optional grapple kit.

GENERAL OPERATION

Daily Inspection

WARNING

Always set the parking brake, shut off power unit engine, remove the ignition key, and ensure all moving parts have come to a complete stop before inspecting components, or attempting any repair or adjustment.

1. Park machine on a level surface, with the engine shut off and all fluids cold.
2. Perform a visual inspection of both the power unit and the power bucket. Look for loose or missing hardware, damaged components, or signs of wear.
3. Inspect hydraulic hoses, hydraulic fittings, and fuel lines to ensure tight, leak free connections.
4. Refer to the power unit operator's manual. Check the power unit's engine oil, hydraulic oil, cooling system, tire pressure, and fuel level. Add fluid or service as required.
5. Test the power unit's operator safety interlock system*.

Attaching

1. Drive the power unit slowly forward into the hitch arms of the power bucket. Align the lift arms of the power unit with the power bucket hitch arms by raising or lowering the front hitch and complete the engagement.
2. Once completely engaged, close the front hitch locking lever.*
3. Engage the parking brake* and shut off the engine.
4. Wipe hose ends clean, and connect to the power unit's hydraulic quick couplers.
If equipped, connect the hoses and quick couplers so the red indicators are paired together and the yellow indicators are paired together.
If equipped with an optional grapple kit, connect the hoses and quick couplers so the white indicators are paired together and the black indicators are paired together.
5. Ballast the rear of the power unit to assure proper balance and stability with a loaded bucket.

4000 Series: Make sure 4) Ventrac weights are installed on the rear hitch weight bar (3 weights if unit is equipped with a 3-point hitch).

LT3000: Install rear weight bracket kit (70.3009) and 2) Ventrac weights (47.0115).

LE3100 & LE3200: Install rear weight bracket kit (70.3017) and 2) Ventrac weights (47.0115).

LH3400L: Install rear weight bracket kit (70.3043) and 2) Ventrac weights (47.0115).

Detaching

1. Park the power unit on a level surface and set the parking brake.*
2. Disengage the power unit's weight transfer.
3. Lower the power bucket to the ground.
4. Shut off power unit engine.
5. Disconnect the hydraulic quick couplers from the power unit and store the hoses looped over the bucket. Do not allow hose ends to lay in the dirt. NOTE: if equipped with a grapple kit, there are holes in the right mounting bracket for storing the hose couplers.
6. Open the front hitch locking lever.*
7. Restart the power unit and back slowly away from the power bucket. A side to side movement of the steering wheel may aid disengagement.
8. **3000 Series only:** remove the rear weights from the rear weight bracket.

Moving Loose or Soft Materials

If the power unit is equipped with 2-speed transaxles, shift the power unit into low range.

Lower the front hitch and rotate the bucket to position the cutting edge at the desired level (usually near the ground). If scooping directly off the ground, you may want to start with the primary SDLA lever* in the float position to allow the bucket to follow the surface contour. NOTE: in order for the bucket to float properly, weight transfer must be disengaged.

Tilt the front of the bucket downward very slightly to keep the heel of the bucket from dragging the ground.

Drive forward slowly into the material. Do not use high speed to ram a pile of material.

WARNING

Drive slowly when running the bucket into material. Never drive at speeds that would cause injury to the operator or damage to the machine if the bucket would catch on a rock or other immovable object buried in the material.

* Refer to power unit operator's manual for operation of power unit controls.

GENERAL OPERATION

For scraping a hard surface, use a bit of down pressure on the cutting edge by taking the primary SDLA lever out of the float position and slightly lowering the bucket. NOTE: this will take some weight off the power unit's front axle, reducing the power unit's steering ability.

WARNING

Do not lift the front tires off the ground when applying down pressure. Steering ability will be lost or greatly reduced.

Continue to fill the bucket by driving forward slowly while beginning to raise the bucket. To complete the fill, roll the bucket back and lift the bucket.

If your forward motion stalls while attempting to take a large scoop of material, stop or slightly reverse the power unit to reduce penetration force on the bucket, then take a smaller scoop of material.

The power unit's weight transfer system (if equipped) can be engaged to increase the lifting and digging capacity when required. NOTE: the float capability of the front hitch will not work in this mode.

While hauling the loaded material to another location, use speeds that are safe for the terrain and surface conditions.

Optional teeth can be installed on the cutting edge. The teeth can help penetrate and break up hard or compacted material.

Smoothing and Leveling Loose Materials

For smoothing or leveling while moving forward, tilt the front of the bucket down 0-15 degrees.

For smoothing or leveling while moving in reverse, tilt the bucket down 30-45 degrees. The best smoothing results are usually obtained when pulling a relatively small amount of material in reverse.

Brush and Log Removal With Optional Grapple

WARNING

Never use the bucket and grapple in a manner that compromises machine stability or operator safety. If the load affects machine stability, reduce the size of the load before continuing operation.

Open the grapple jaws, lower and/or tilt the bucket until the cutting edge is below the log or brush, and drive forward slowly. When the log or brush is positioned in the bucket, close the grapple jaws, pull the secondary SDLA lever to the left while cycling the button to alternately roll the bucket back and apply additional clamping force on the load, and lift the bucket. The grapple jaws will hold the log or brush in place while transporting to another location.

While hauling the loaded material to another location, use speeds that are safe for the terrain and surface conditions. Be aware of the width of the log or brush you are transporting and make sure your travel path is wide enough to accommodate your load.

When you reach the desired location, tip the bucket forward and open the grapple jaws to release the log or brush.

SERVICE

⚠ WARNING

Always set the parking brake, shut off power unit engine, remove the ignition key, and ensure all moving parts have come to a complete stop before inspecting components or attempting any repair or adjustment.



Attention

If any component requires replacement, use only original Ventrac replacement parts.

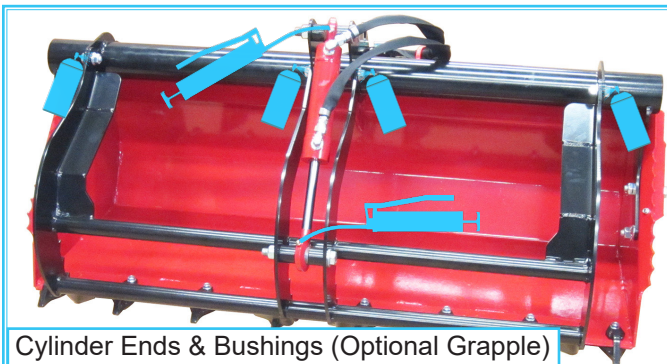
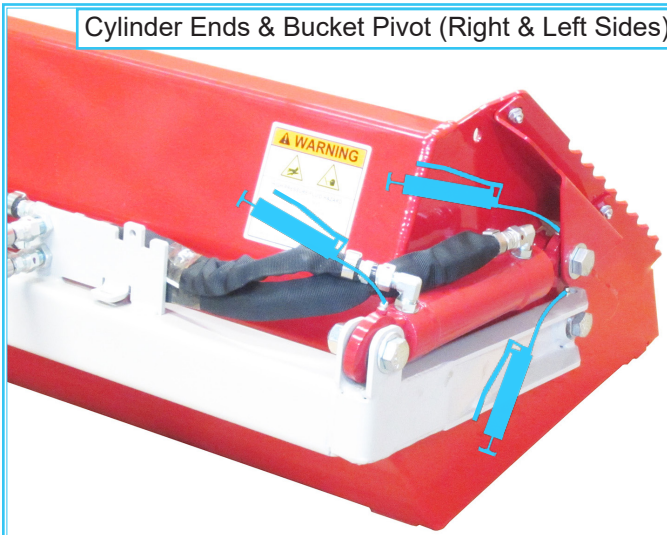
Cleaning and General Maintenance

For best results, and to maintain the finish of the power bucket, clean or wash the power bucket after each use to remove dirt, mud, stones, mulch, or other debris.

Lubrication Locations

Lubrication is required at the following locations using a lithium complex NGLI #2 grease. Refer to the maintenance schedule for service intervals and amount of grease.

Cylinder Ends & Bucket Pivot (Right & Left Sides)



Cylinder Ends & Bushings (Optional Grapple)

Storage

Preparing the Power Bucket for Storage

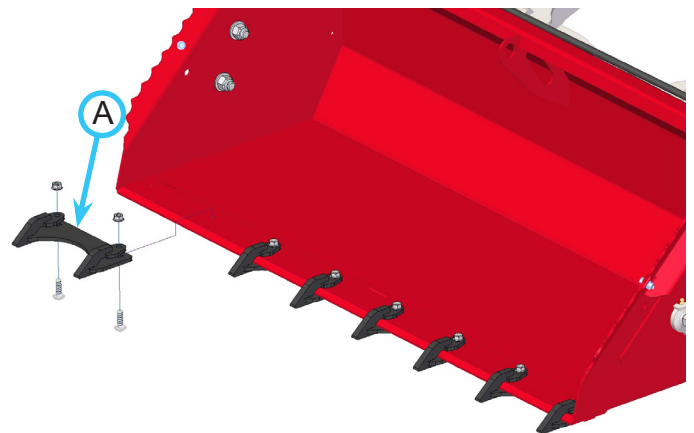
1. Clean the power bucket.
2. Inspect for loose or missing hardware, damaged components, or signs of wear.
3. Inspect safety decals. Replace any decals that are faded, illegible, or missing.
4. Inspect hydraulic hoses and fittings to ensure tight, leak free connections. Repair or replace any damaged or wore components.
5. Apply grease to all grease points. Wipe off all excess grease.

Removing the Power Bucket from Storage

1. Clean the power bucket to remove any accumulated dust or debris.
2. Inspect the power bucket as instructed in the daily inspection section of this manual.
3. Test the power bucket to ensure all components are working properly.

Optional Power Bucket Teeth Installation

1. Park the power unit and power bucket on a level surface and raise the power bucket high enough to place blocks underneath.
2. Place 4" blocks or other supports under the power bucket and lower the bucket until it is resting on the blocks.
3. Shut off the power unit's engine, set the parking brake, and remove the key from the ignition.
4. Start at one side of the power bucket, and install the sets of teeth (A) onto the front cutting edge of the power bucket. The 30" power bucket uses three sets of teeth and the 48" power bucket uses four sets of teeth.



5. Secure each set to the power bucket using 2) 3/8" x 1-1/4" carriage bolts inserted up through the tooth and bucket. Secure with 2) 3/8" flange nuts and torque to 31 ft-lbs (42 Nm).

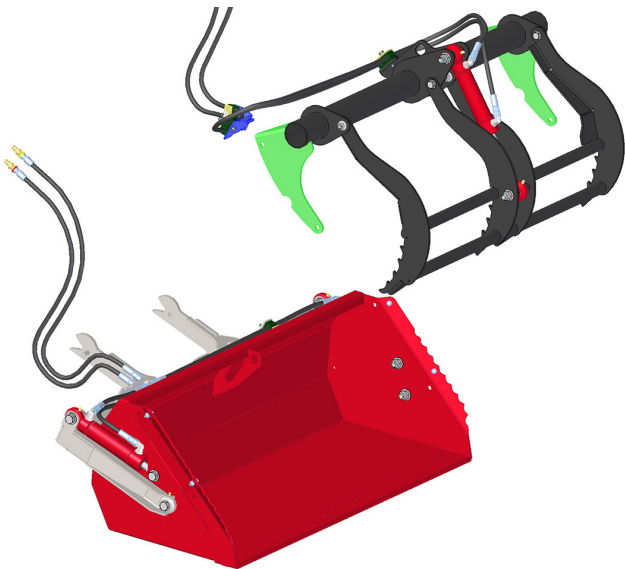
SERVICE

Removing Power Bucket Teeth

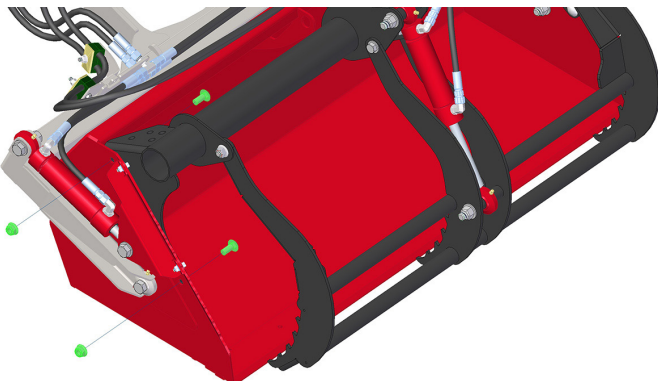
1. Park the power unit and power bucket on a level surface and raise the power bucket high enough to place blocks underneath.
2. Place 4" blocks or other supports under the power bucket and lower the bucket until it is resting on the blocks.
3. Shut off the power unit's engine, set the parking brake, and remove the key from the ignition.
4. Remove the 3/8" carriage bolts and flange nuts and remove the teeth from the front edge of the power bucket.

Optional Grapple Installation

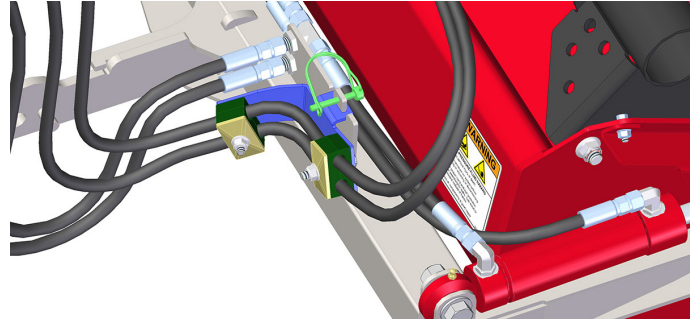
1. Place the power bucket on a level surface.
2. With the help of an assistant, lift the grapple assembly into place with the grapple frame brackets (highlighted green) inside the right and left sides of the bucket.



3. Install 2) 1/2 x 1-1/2" carriage bolts through both the right and left grapple frame brackets and the bucket sides and fasten with 1/2" nylon locking flange nuts. Torque to 75 ft-lbs (102 Nm).

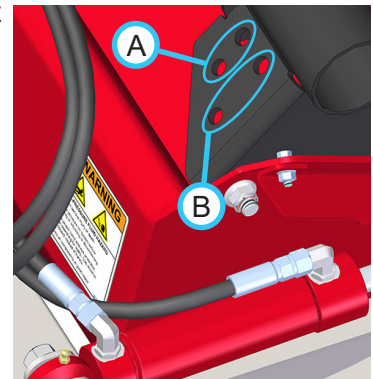


Install the hose/clamp mount bracket (highlighted blue) onto the right hose clamp plate on the power bucket frame. Match up the tabs and slots on the brackets and lower into place. Install the 1/4" safety snap pin (highlighted green) through the hole in the tab to secure hose/clamp mount bracket.



Removal and Storage of the Grapple

1. Clean the power bucket.
2. Inspect for loose or missing hardware, damaged components, or signs of wear.
3. Inspect hydraulic hoses and fittings to ensure tight, leak free connections. Repair or replace any damaged or wore components.
4. Apply grease to all grease points. Wipe off all excess grease.
5. Remove the 1/4" safety snap pin from the hose/clamp mount bracket and remove the hose/clamp mount bracket from the power bucket frame.
6. Place the hydraulic hose ends in the storage holes (A) in the right grapple mounting bracket.
7. Remove the 4) 1/2" carriage bolts and lock nuts that fasten the grapple to the bucket ends.
8. Place the bolts in the storage holes (B) in the right and left mounting brackets and secure with the nuts.
9. Remove the grapple from the bucket and store in a clean, dry location.



SERVICE

Maintenance Schedule

Maintenance Schedule	# of Locations	# of Pumps	AS NEEDED	Daily	At 50 Hours	At 100 Hours	At 150 Hours	At 200 Hours	At 250 Hours	At 300 Hours	At 350 Hours	At 400 Hours	At 450 Hours	At 500 Hours	At 550 Hours	At 600 Hours	At 650 Hours	At 700 Hours	At 750 Hours	At 800 Hours	At 850 Hours	At 900 Hours	At 950 Hours	At 1000 Hours	Yearly	
																										Grease & Lubrication: See Lubrication Section
Cylinder End	4	^	**		✓	✓	✓	✓	✓	✓	✓	✓	✓	✓	✓	✓	✓	✓	✓	✓	✓	✓	✓	✓	✓	✓
Bucket Pivot	2	^	**		✓	✓	✓	✓	✓	✓	✓	✓	✓	✓	✓	✓	✓	✓	✓	✓	✓	✓	✓	✓	✓	✓
Cylinder End (Optional Grapple)	2	^	**		✓	✓	✓	✓	✓	✓	✓	✓	✓	✓	✓	✓	✓	✓	✓	✓	✓	✓	✓	✓	✓	✓
Grapple Bushings (Spray Lube)	4		**		✓	✓	✓	✓	✓	✓	✓	✓	✓	✓	✓	✓	✓	✓	✓	✓	✓	✓	✓	✓	✓	✓
Inspection																										
Inspect for Loose, Missing, or Worn Components.			✓																							
Inspect Hydraulic Hoses and Fittings			✓																							
Inspect Safety Decals			✓																							
** Operation in severe conditions may require more frequent service intervals.																										
^ Grease Until Fresh Grease is visible																										

Maintenance Checklist

Maintenance Checklist	# of Locations	# of Pumps	AS NEEDED	Daily	At 50 Hours	At 100 Hours	At 150 Hours	At 200 Hours	At 250 Hours	At 300 Hours	At 350 Hours	At 400 Hours	At 450 Hours	At 500 Hours	At 550 Hours	At 600 Hours	At 650 Hours	At 700 Hours	At 750 Hours	At 800 Hours	At 850 Hours	At 900 Hours	At 950 Hours	At 1000 Hours	Yearly	
																										Grease & Lubrication: See Lubrication Section
Cylinder End	4	^																								
Bucket Pivot	2	^																								
Cylinder End (Optional Grapple)	2	^																								
Grapple Bushings (Spray Lube)	4																									
Inspection																										
Inspect for Loose, Missing, or Worn Components.																										
Inspect Hydraulic Hoses and Fittings																										
Inspect Safety Decals																										
** Operation in severe conditions may require more frequent service intervals.																										
^ Grease Until Fresh Grease is visible																										

SPECIFICATIONS

HE302 Dimensions

Overall Height	16 inches (40.6 cm)
Overall Length	33.50 inches (85 cm)
Overall Length w/Teeth	35.25 inches (89.5 cm)
Overall Width	34.50 inches (87.6 cm)
Working Width	30 inches (76.2 cm)
Weight [^]	145 pounds (65.8 kg)
Capacity	3.6 ft ³ (.10 m ³)

[^]Optional cutting teeth add an additional 7.5 pounds (3.4 kg).

HE482 Dimensions

Overall Height	16 inches (40.6 cm)
Overall Height w/Grapple	23 inches (58.4 cm)
Overall Length	33.50 inches (85 cm)
Overall Length w/Teeth	35.25 inches (89.5 cm)
Overall Length w/Grapple	39.25 inches (99.7 cm)
Overall Width	53 inches (134.6 cm)
Working Width	48 inches (122 cm)
Weight ^{^^}	190 pounds (86.2 kg)
Weight w/Grapple ^{^^}	265 pounds (120.2 kg)
Capacity	6 ft ³ (.17 m ³)
Capacity (Bucket Extension)	10 ft ³ (.28 m ³)
Grapple Opening	26 inches (66 cm)

[^]Optional cutting teeth add an additional 10 pounds (4.5 kg).

Power Bucket Angle & Ground Clearance

Dump Angle at Full Height.	51 degrees*
Ground Clearance in Raised Position (3400)850 inches (21.6 cm)*
Ground Clearance in Raised Position (4500)925 inches (23.5 cm)*
Ground Clearance in Dump Position (3400).663 inches (16.8 cm)*
Ground Clearance in Dump Position (4500).738 inches (18.7 cm)*

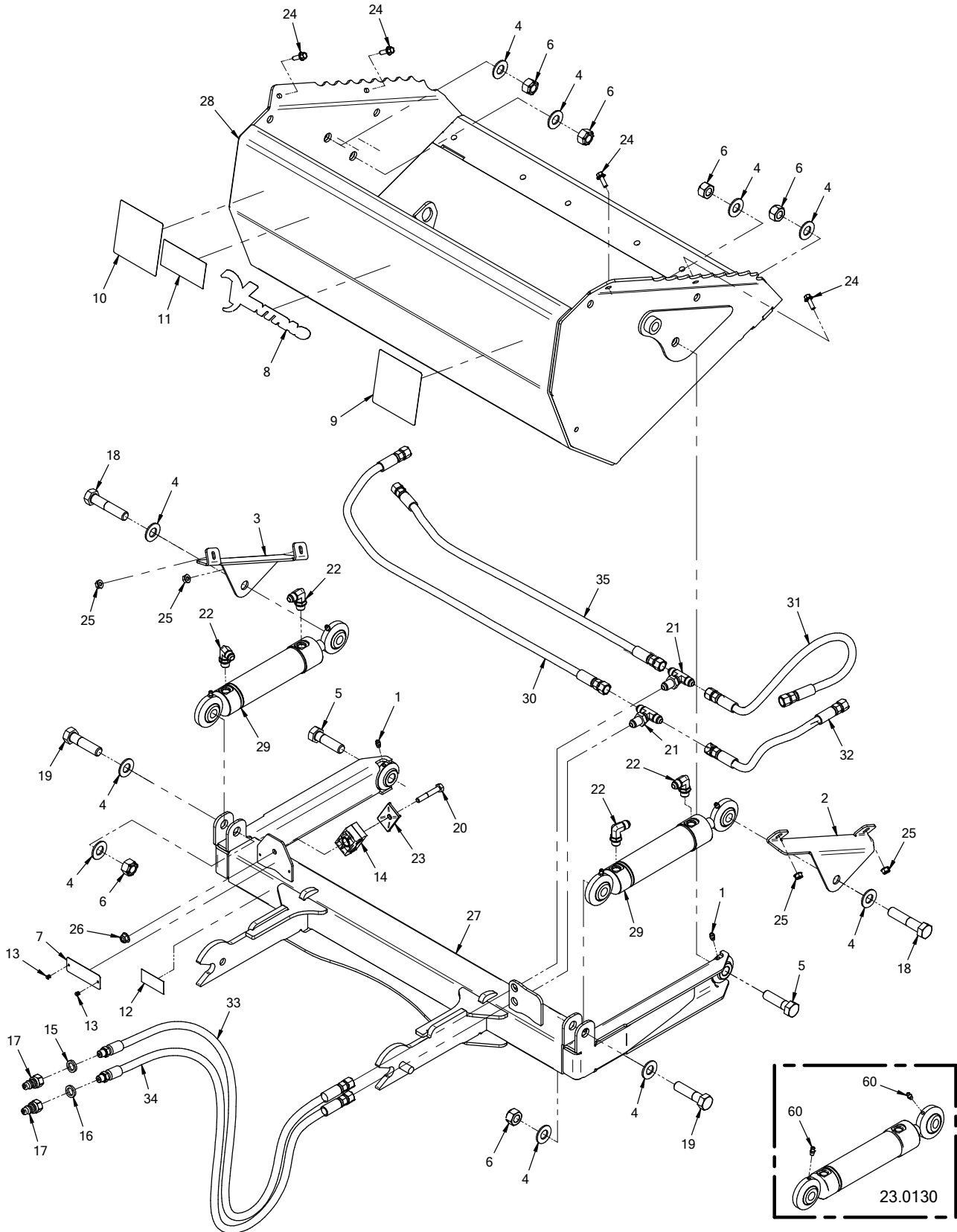
Features

- Hardened cutting edge
- Serrated side edge
- Hydraulic cylinder guards
- Hydraulic control of all functions (including optional grapple)
- Optional cutting teeth
- Optional grapple (HE482 only)
- Optional bucket extension (HE482 only)

Blank Page

PARTS

ILLUSTRATED DRAWING HE302 Power Bucket



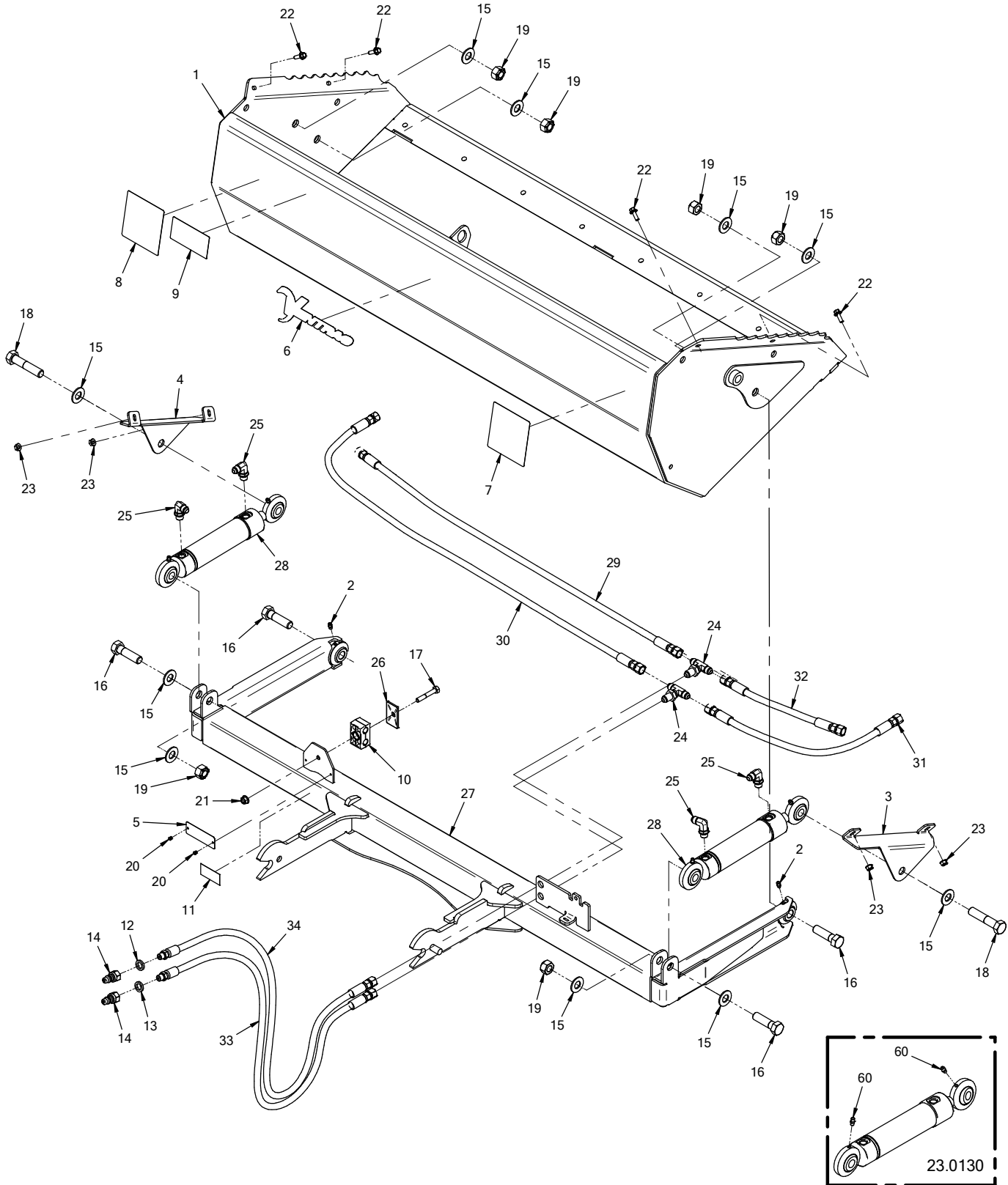
PARTS

HE302 Power Bucket

REF.	PART NO.	DESCRIPTION	QTY.
1	29.GF0001	.GREASE FTG, 1/4 SAE ST	2
2	60.1256	.COVER, CYLINDER RIGHT	1
3	60.1257	.COVER, CYLINDER LEFT	1
4	95.10	.WASHER, FLAT 5/8 SAE	10
5	90.1018	.BOLT, 5/8-11 USS X 2-1/4	2
6	99.A10	.LOCKNUT, STOVER 5/8-11 USS	6
7	N/A	.PLATE, VENTRAC SERIAL NUMBER	1
8	00.0383	.DECAL, VENTRAC	1
9	00.0103	.DECAL, HAZARD - HIGH PRESS. FLUID	1
10	00.0102	.DECAL, DANGER - PINCHING HAZARDS	1
11	00.0217	.DECAL, WARNING READ OWNERS MAN	1
12	00.0100	.DECAL, MADE IN USA	1
13	04.0007	.RIVET, POP DOME 1/8 X 1/8 S.S.	2
14	44.0256	.CLAMP, HYD HOSE 12.7MM ID GRN	1
15	05.0117	.WASHER, .544 ID X .817 X .14 YEL	1
16	05.0116	.WASHER, .544 ID X .817 X .14 RED	1
17	23.0104	.COUPLER, HYDRAULIC QUICK - 1/4 MALE	2
18	90.1024	.BOLT, 5/8-11 USS X 3	2
19	90.1020	.BOLT, 5/8-11 USS X 2-1/2	2
20	90.0516	.BOLT, 5/16-18 USS X 2"	1
21	25.2703-6-6-6LN	.FITTING, BULKHEAD T 3/8 W/LNUT	2
22	25.6801-06-06	.FITTING, 90 ME 3/8 X 3/8	4
23	44.0229	.COVER PLATE, 2D GROUP	1
24	99.SF0406-1	.BOLT, SMF 1/4-20 X 3/4	4
25	99.E0101	.NUT, LOCKING FLANGE 1/4-20	4
26	99.E0102	.NUT, LOCKING FLANGE 5/16-18	1
27	62.1341	.FRAME, HITCH WELDMENT 30"	1
28	62.1340	.FRAME, SCOOP WELDMENT 30"	1
29	23.0130	.CYLINDER, 1-1/2" X 5"	2
30	20.0148	.HOSE, 1/4 X 33.50 SAE 100R17 AR	1
31	20.0149	.HOSE, 1/4 X 17.50 SAE 100R17 AR	1
32	20.0150	.HOSE, 1/4 X 11.50 SAE 100R17 AR	1
33	20.0166	.HOSE, 1/4 X 35.00 SAE 100R17AR	1
34	20.0166	.HOSE, 1/4 X 35.00 SAE 100R17AR	1
35	20.0258	.HOSE, 1/4 X 27.50 SAE 100R17AR	1
60	29.GF0001	.GREASE FTG, 1/4 SAE ST	2

PARTS

ILLUSTRATED DRAWING HE482 Power Bucket



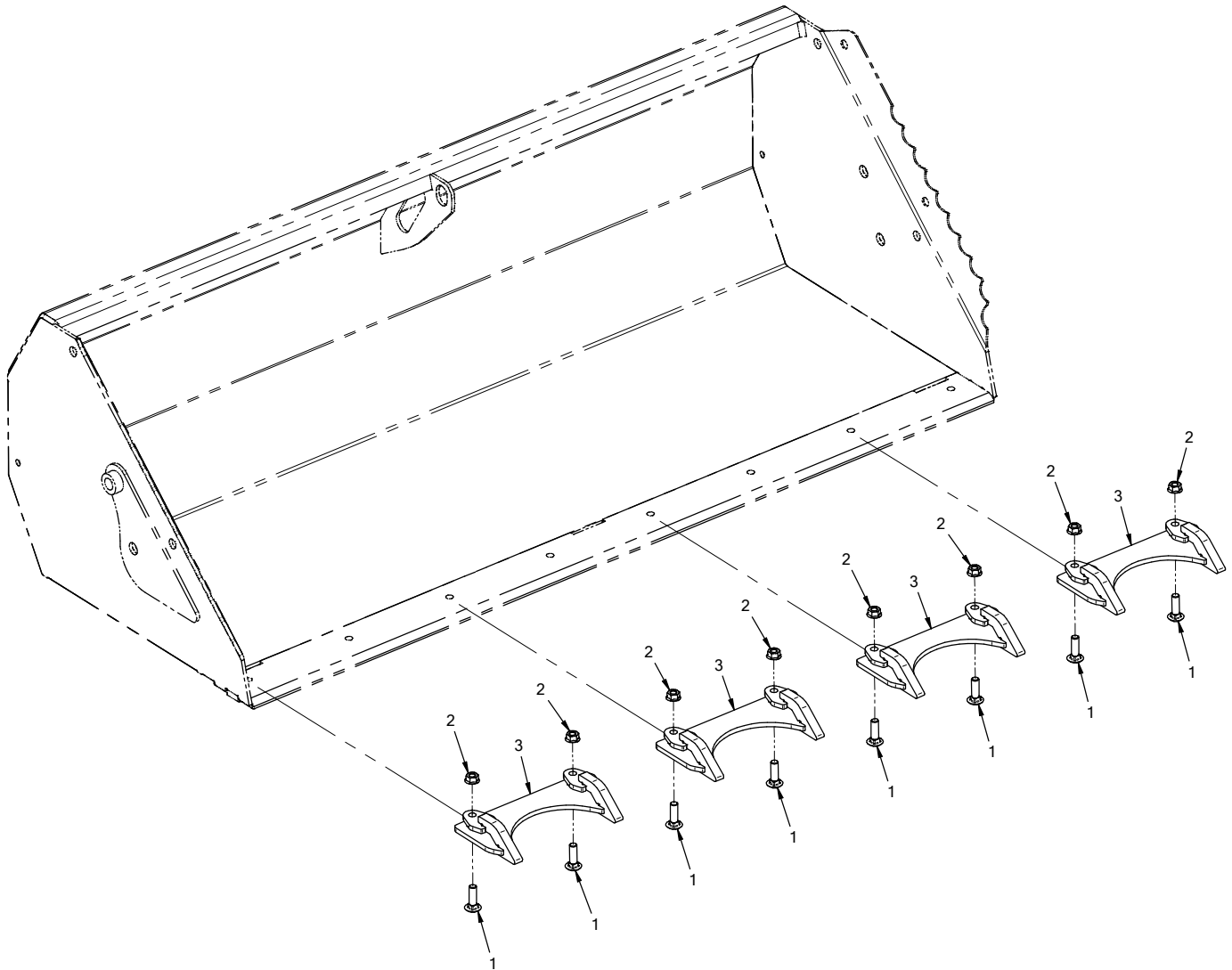
PARTS

HE482 Power Bucket

REF.	PART NO.	DESCRIPTION	QTY.
1	62.1343	.FRAME, SCOOP WELDMENT HE482	1
2	29.GF0001	.GREASE FTG, 1/4 SAE ST	2
3	60.1256	.COVER, CYLINDER RIGHT	1
4	60.1257	.COVER, CYLINDER LEFT	1
5	N/A	.PLATE, VENTRAC SERIAL NUMBER	1
6	00.0383	.DECAL, VENTRAC	1
7	00.0103	.DECAL, HAZARD - HIGH PRESS. FLUID	1
8	00.0102	.DECAL, DANGER - PINCHING HAZARDS	1
9	00.0217	.DECAL, WARNING READ OWNERS MAN	1
10	44.0256	.CLAMP, HYD HOSE 12.7MM ID GRN	1
11	00.0100	.DECAL, MADE IN USA	1
12	05.0117	.WASHER, .544 ID X .817 X .14 YEL	1
13	05.0116	.WASHER, .544 ID X .817 X .14 RED	1
14	23.0104	.COUPLER, HYDRAULIC QUICK - 1/4 MALE	2
15	95.10	.WASHER, FLAT 5/8 SAE	10
16	90.1018	.BOLT, 5/8-11 USS X 2-1/4	4
17	90.0516	.BOLT, 5/16-18 USS X 2"	1
18	90.1024	.BOLT, 5/8-11 USS X 3	2
19	99.A10	.LOCKNUT, STOVER 5/8-11 USS	6
20	04.0007	.RIVET, POP DOME 1/8 X 1/8 S.S.	2
21	99.E0102	.NUT, LOCKING FLANGE 5/16-18	1
22	99.SF0406-1	.BOLT, SMF 1/4-20 X 3/4	4
23	99.E0101	.NUT, LOCKING FLANGE 1/4-20	4
24	25.2703-6-6-6LN	.FITTING, BULKHEAD T 3/8 W/LNUT	2
25	25.6801-06-06	.FITTING, 90 ME 3/8 X 3/8	4
26	44.0229	.COVER PLATE, 2D GROUP	1
27	62.1344	.FRAME, HITCH WELDMENT 48"	1
28	23.0130	.CYLINDER, 1-1/2" X 5"	2
29	20.0121	.HOSE, 1/4 X 36.50 SAE 100R17AR	1
30	20.0122	.HOSE, 1/4 X 43.00 SAE 100R17AR	1
31	20.0123	.HOSE, 1/4 X 19.50 SAE 100R17AR	1
32	20.0124	.HOSE, 1/4 X 13.50 SAE 100R17AR	1
33	20.0166	.HOSE, 1/4 X 35.00 SAE 100R17AR	1
34	20.0166	.HOSE, 1/4 X 35.00 SAE 100R17AR	1
60	29.GF0001	.GREASE FTG, 1/4 SAE ST	2

PARTS

ILLUSTRATED DRAWING 70.8124 Power Bucket Teeth Kit



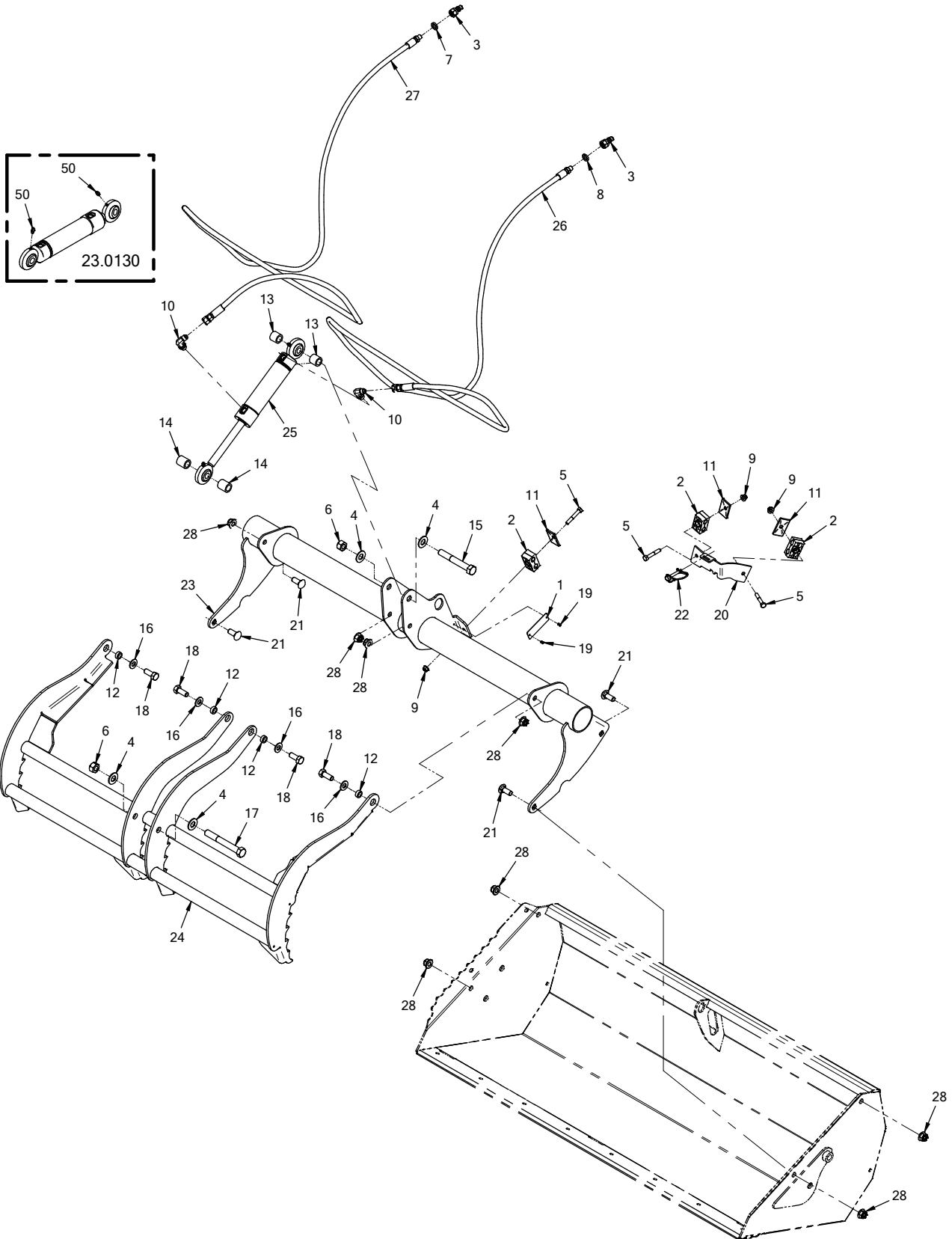
PARTS

70.8124 Power Bucket Teeth Kit

REF.	PART NO.	DESCRIPTION	QTY.
1	97.0610	BOLT, CARRIAGE 3/8 X 1-1/4	8
2	99.SF06	NUT, SRF 3/8-16 USS.	8
3	79.0090	TOOTH, DOUBLE TIP BUCKET	4

PARTS

ILLUSTRATED DRAWING 70.8123 Power Bucket Grapple 48"



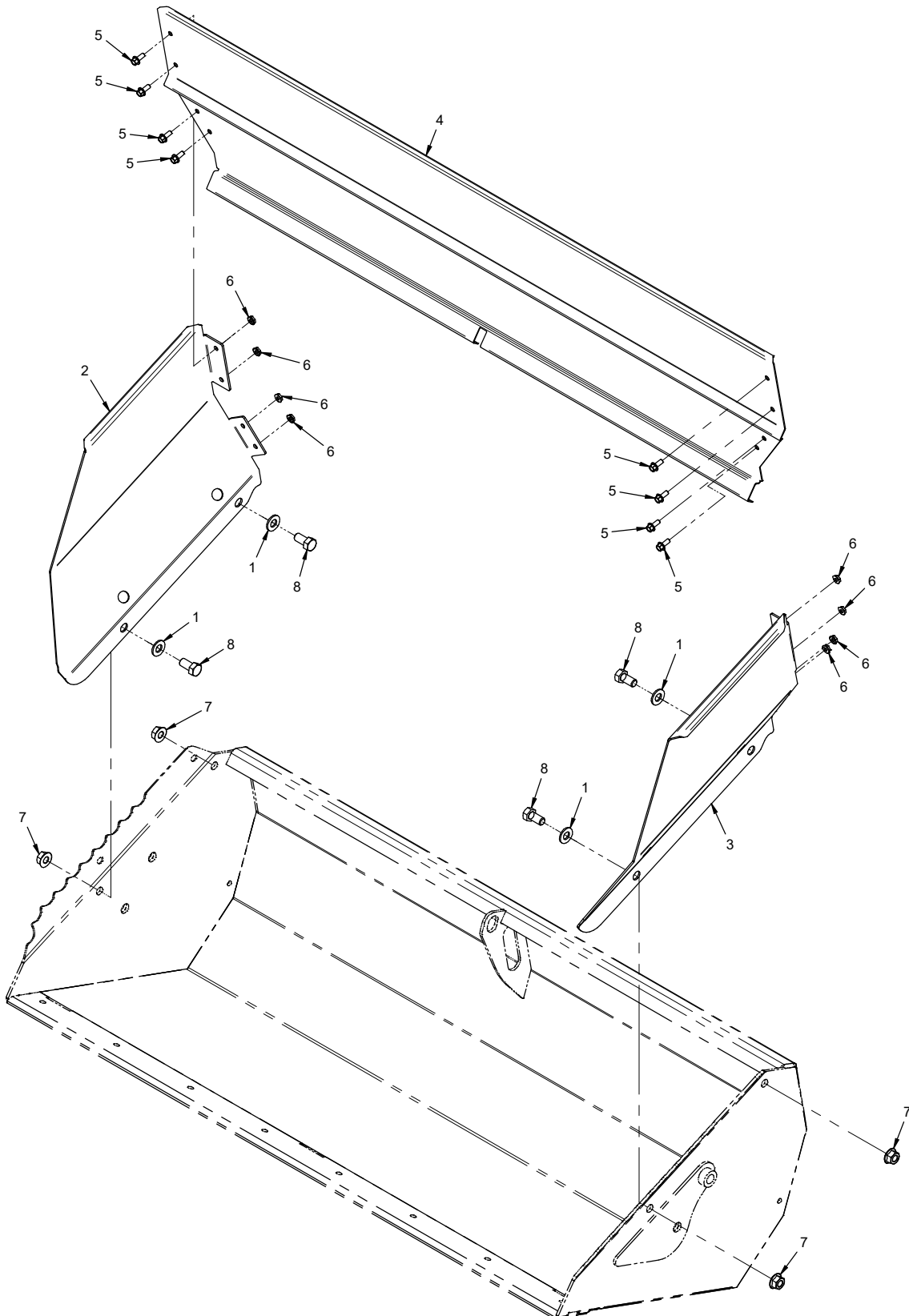
PARTS

70.8123 Power Bucket Grapple 48"

REF.	PART NO.	DESCRIPTION	QTY.
1	N/A	.PLATE, VENTRAC SERIAL NUMBER	1
2	44.0256	.CLAMP, HYD HOSE 12.7MM ID GRN.	3
3	23.0104	.COUPLER, HYDRAULIC QUICK - 1/4 MALE	2
4	95.10	.WASHER, FLAT 5/8 SAE	4
5	90.0516	.BOLT, 5/16-18 USS X 2"	3
6	99.A10	.LOCKNUT, STOVER 5/8-11 USS	2
7	05.0156	.WASHER, .544 X .817 X 14 NAT	1
8	05.0157	.WASHER, .544 X .817 X 14 BLK	1
9	99.E0102	.NUT, LOCKING FLANGE 5/16-18	3
10	25.6801-06-06	.FITTING, 90 ME 3/8 X 3/8	2
11	44.0229	.COVER PLATE, 2D GROUP	3
12	64.1537	.BUSHING, GRAPPLE HINGE	4
13	64.1539	.BUSHING, UPPER CYLINDER MOUNT	2
14	64.1538	.BUSHING, LOWER CYLINDER MOUNT	2
15	90.1036	.BOLT, 5/8-11 USS X 4-1/2	1
16	95.08	.WASHER, FLAT 1/2 SAE	4
17	90.1040	.BOLT, 5/8-11 USS X 5	1
18	90.0810	.BOLT, 1/2-13 USS X 1-1/4	4
19	04.0029	.RIVET, POP 1/8" X 1/4"	2
20	64.1540	.BRACKET, HOSE/CLAMP MOUNT	1
21	97.0810-5	.BOLT, CARRIAGE 1/2-13 X 1-1/4 GR5	4
22	03.0009	.PIN, SAFETY SNAP 1/4 X 1-3/8	1
23	62.1345	.FRAME, GRAPPLE MOUNT	1
24	62.1346	.FRAME, GRAPPLE	1
25	23.0130	.CYLINDER, 1-1/2" X 5"	1
26	20.0321	.HOSE, 1/4 X 97.50 SAE 100R17AR	1
27	20.0322	.HOSE, 1/4 X 101.50 SAE 100R17AR	1
28	99.E0119	.LOCKNUT, NYLON - FLANGED 1/2-13	8
50	29.GF0001	.GREASE FTG, 1/4 SAE ST	2

PARTS

ILLUSTRATED DRAWING 70.8159 Bucket Extension Kit



PARTS

70.8159 Bucket Extension Kit

REF.	PART NO.	DESCRIPTION	QTY.
1	95.08	WASHER, FLAT 1/2 SAE	4
2	60.1269	PANEL, RIGHT SIDE	1
3	60.1270	PANEL, LEFT SIDE	1
4	60.1271	PANEL, BACK	1
5	99.SF0405-1	BOLT, SMF 1/4-20 X 5/8	8
6	99.SF04	NUT, SF 1/4-20 USS	8
7	99.SF08	NUT, SF 1/2-13 USS	4
8	90.0808	BOLT, 1/2-13 USS X 1	4

WARRANTY



LIMITED WARRANTY - VENTRAC COMMERCIAL EQUIPMENT

Venture Products, Inc., (henceforth referred to as V.P.I.) warrants on the terms and conditions herein, that it will repair, replace, or adjust any part manufactured by Venture Products Inc., and found by Venture Products, Inc., to be defective in material and/or workmanship during the applicable warranty term.

All Ventrac commercial equipment purchased and registered on or after January 1, 2019 will carry a 2-year commercial warranty. The warranty period begins on the date of original customer purchase:

Ventrac Commercial Equipment	Warranty Term
2100 SSV & Attachments	2-year
3000 Series Tractors & Attachments	2-year
4000 Series Tractors & Attachments	2-year

All Ventrac add-on kits and accessories such as: 3-point hitch, 12V front & rear power outlets, foot pedal, dual wheel kit, etc., will be covered under the above warranty periods provided they are installed by an Authorized Ventrac Dealer. This warranty may be transferred and will carry the remainder of the warranty starting from the original purchase/registration date with the dealership and/or V.P.I.

The engine warranty is covered by its respective engine manufacturer. Please refer to the engine manufacturer's warranty statement that is included in the owner's manual.

For warranty consideration on Ventrac commercial equipment, including any defective part, must be returned to an Authorized Ventrac Dealer within the warranty period. The warranty shall extend to the cost to repair or replace (as determined by V.P.I.) the defective part. The expense of pickup and delivery of equipment, service call drive time or any transportation expense incurred for warranty repair is the sole responsibility of the owner and is not covered under warranty by Ventrac and/or V.P.I. Ventrac and V.P.I.'s responsibility in respect to claims is limited to making the required repairs or replacements, and no claim of breach of warranty shall be cause for cancellation or rescission of the contract of sale of any Ventrac equipment. Proof of purchase may be required by the dealer to substantiate any warranty claim. Only warranty work performed and submitted by an Authorized Ventrac Dealer may be eligible for warranty credit.

This warranty extends only to Ventrac commercial equipment operated under normal conditions and properly serviced and maintained. The warranty expressly does NOT cover: (a) any defects, damage or deterioration due to normal use, wear and tear, or exposure; (b) normal maintenance services, such as cleaning, lubrication, oil change; (c) replacement of service items, such as oil, lubricants, spark plugs, belts, rubber hoses, bearings or other items subject to normal service replacement; (d) damage or defects arising out of, or relating to abuse, misuse, neglect, alteration, negligence or accident; (e) repair or replacement arising from operation of, or use of the equipment which is not in accordance with operating instructions as specified in the operator's manual or other operational instructions provided by V.P.I.; (f) repair or replacement arising as a result of any operation from Ventrac equipment that has been altered or modified so as to, in the determination of V.P.I., adversely affect the operation, performance or durability of the equipment or that has altered, modified or affected the equipment so as to change the intended use of the product; (g) repair or replacement necessitated by the use of parts, accessories or supplies, including gasoline, oil or lubricants, incompatible with the equipment or other than as recommended in the operator's manual or other operational instructions provided by V.P.I.; (h) repairs or replacements resulting from parts or accessories which have adversely affected the operation, performance or durability of the equipment; or (i) damage or defects due to or arising out of repair of Ventrac equipment by person or persons other than an authorized Ventrac service dealer or the installation of parts other than genuine Ventrac parts or Ventrac recommended parts.

WARRANTY



LIMITED WARRANTY - VENTRAC COMMERCIAL EQUIPMENT

The sole liability of V.P.I. with respect to this warranty shall be the repair and replacement as set forth herein. V.P.I. shall have no liability for any other cost, loss, or damage. In particular V.P.I shall have no liability or responsibility for: (i) expenses relating to gasoline, oil, lubricants; (ii) loss, cost or expense relating to transportation or delivery of turf equipment from the location of owner or location where used by owner to or from any Authorized Ventrac Dealer; (iii) travel time, overtime, after hours' time or other extraordinary repair charges or charge relating to repairs or replacements outside of normal business hours at the place of business of an Authorized Ventrac Dealer; (iv) rental of like or similar replacement equipment during the period of any warranty repair or replacement work; (v) any telephone or telegram charges; (vi) loss or damage to person or property other than that covered by the terms of this warranty; (vii) any claims for lost revenue, lost profit or additional cost or expense incurred as a result of a claim of breach of warranty; or (viii) attorney's fees.

The remedies of buyer set forth herein are exclusive and are in lieu of all other remedies. The liability of V.P.I., whether in contract, tort, under any warranty, or otherwise, shall not extend beyond its obligation as set forth herein. V.P.I. shall not be liable for cost of removal or installation nor shall V.P.I. be responsible for any direct, indirect, special or consequential damages of any nature. In no event shall V.P.I. be liable for any sum in excess of the price received for the goods for which liability is claimed.

There are no representations or warranties which have been authorized to the buyer of the Ventrac commercial equipment other than set forth in this warranty. Any and all statements or representations made by any seller of this equipment, including those set forth in any sales literature or made orally by any sales representative, are superseded by the terms of this warranty. Any affirmation of fact or promise made by V.P.I. or any of its representatives to the buyer which relates to the goods that are the subject to this warranty shall not be regarded as part of the basis of the bargain and shall not be deemed to create any express warranty that such goods shall conform to the affirmation or promise.

No employee, distributor, or representative is authorized to change the foregoing warranties in any way or grant any other warranty on behalf of V.P.I.

Some states do not allow limitations on how long an implied warranty lasts or allow the exclusion on limitation of incidental or consequential damages, so the above limitation or exclusion may not apply to you.

This warranty gives you specific legal rights, and you may also have other rights which vary from state to state.

This warranty applies to all Ventrac commercial equipment sold by Venture Products Inc.